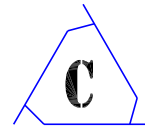
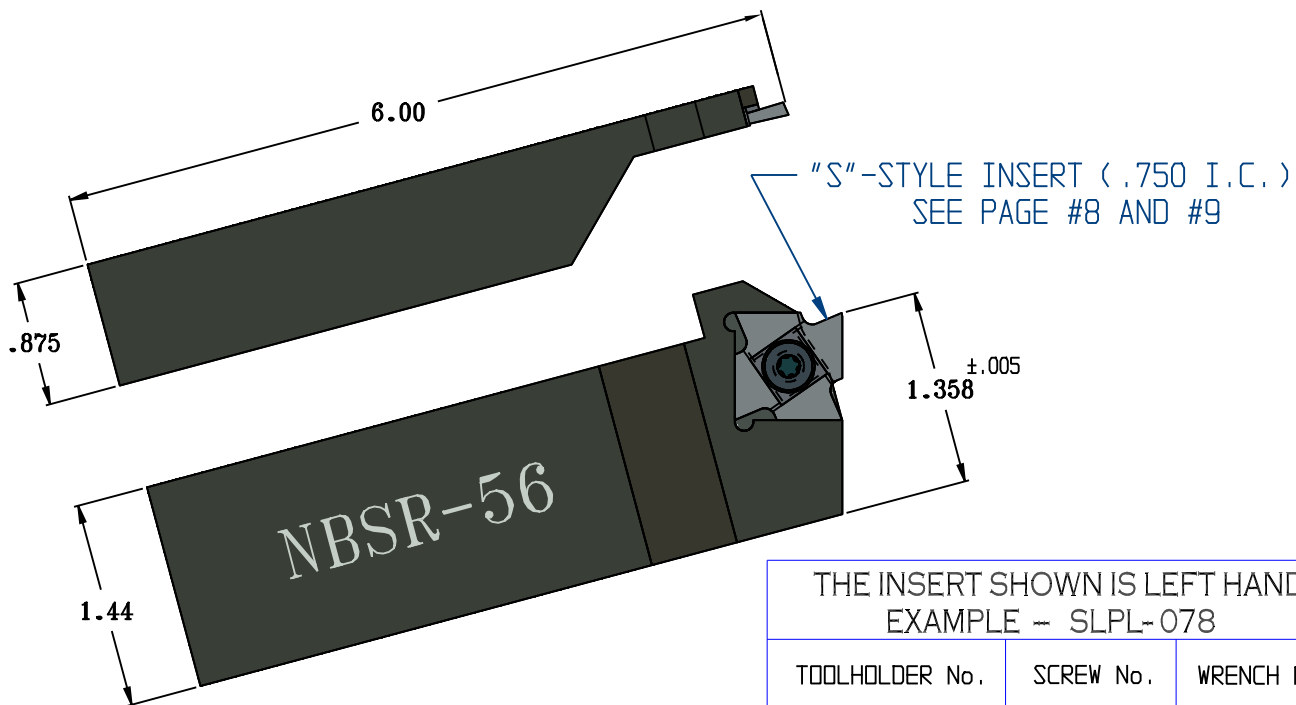


NEW BRITAIN CUT-OFF TOOLHOLDERS

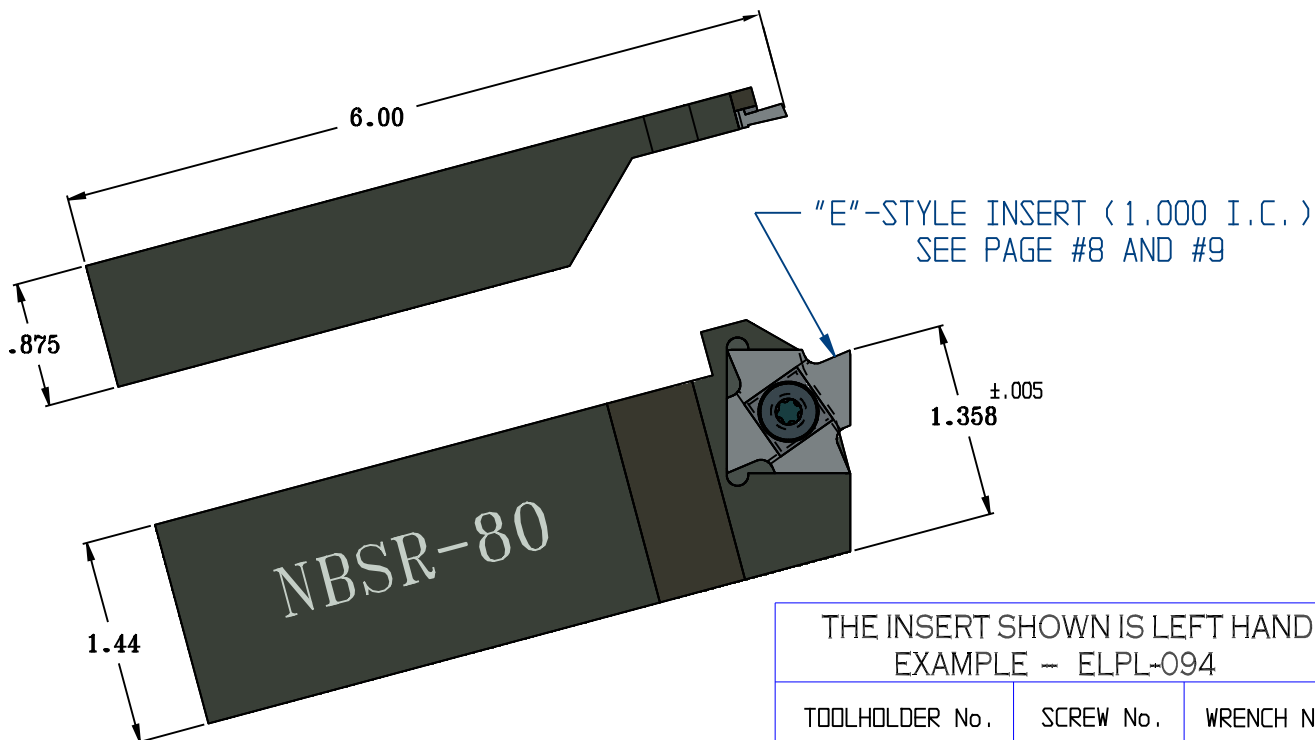


PATENT No. D307859



THE INSERT SHOWN IS LEFT HAND
EXAMPLE -- SLPL-078

TOOLHOLDER No.	SCREW No.	WRENCH No.
NBSR-56	CTD-3341	CTD-3619



THE INSERT SHOWN IS LEFT HAND
EXAMPLE -- ELPL-094

TOOLHOLDER No.	SCREW No.	WRENCH No.
NBSR-80	CTD-4857	CTD-3619