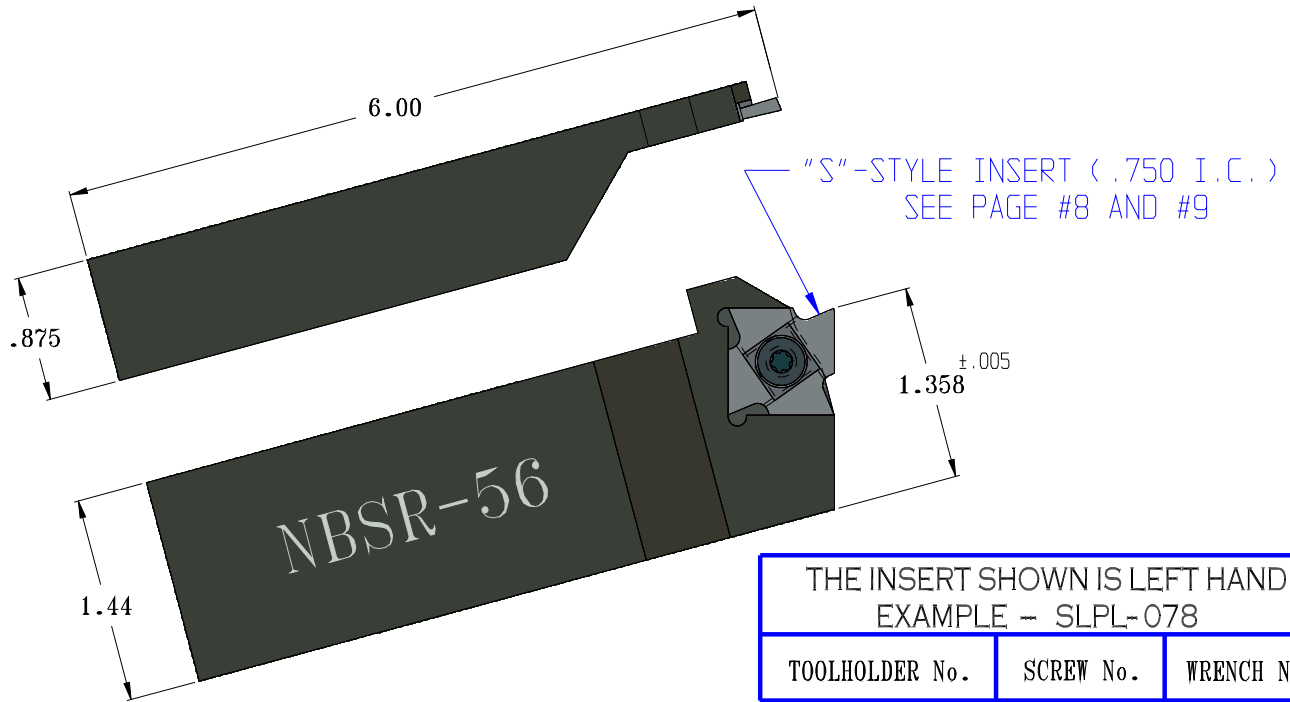




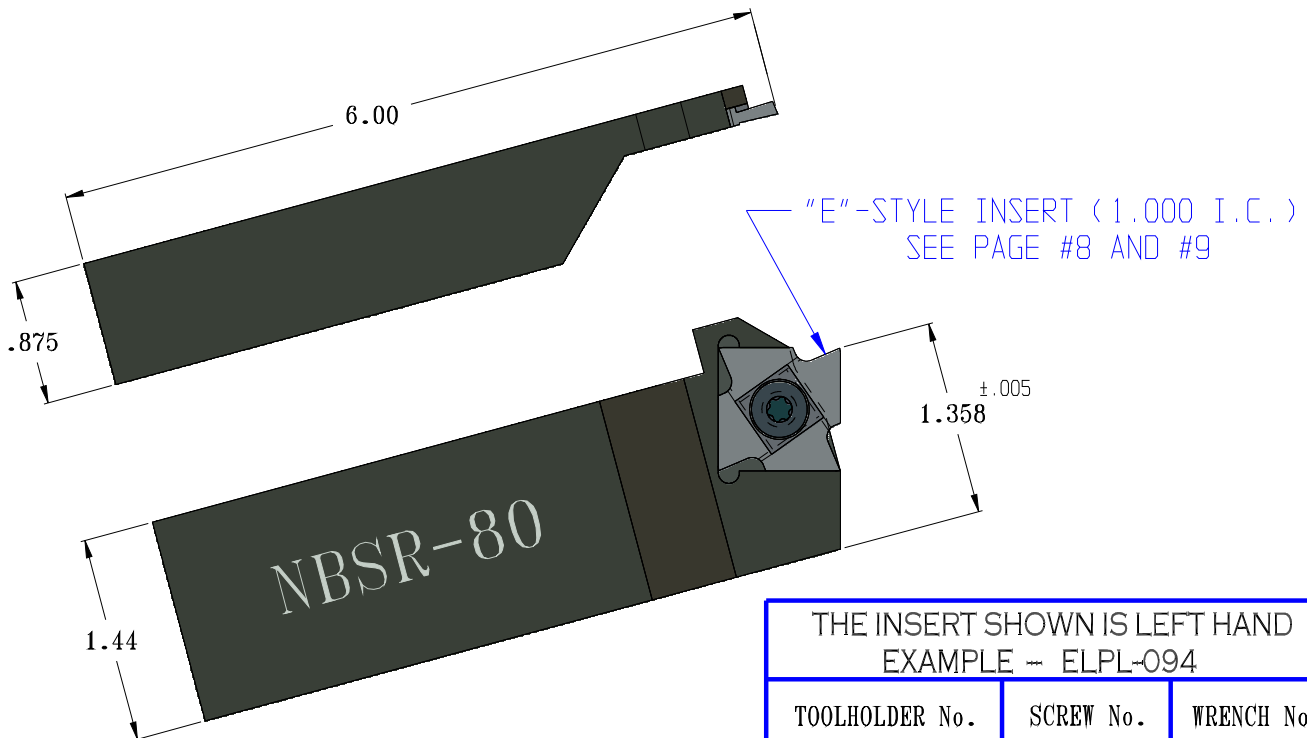
NEW BRITAIN CUT-OFF TOOLHOLDERS



PATENT No. D307859



THE INSERT SHOWN IS LEFT HAND EXAMPLE - SLPL-078		
TOOLHOLDER No.	SCREW No.	WRENCH No.
NBSR-56	CTD-3341	CTD-3619



THE INSERT SHOWN IS LEFT HAND EXAMPLE - ELPL-094		
TOOLHOLDER No.	SCREW No.	WRENCH No.
NBSR-80	CTD-4857	CTD-3619