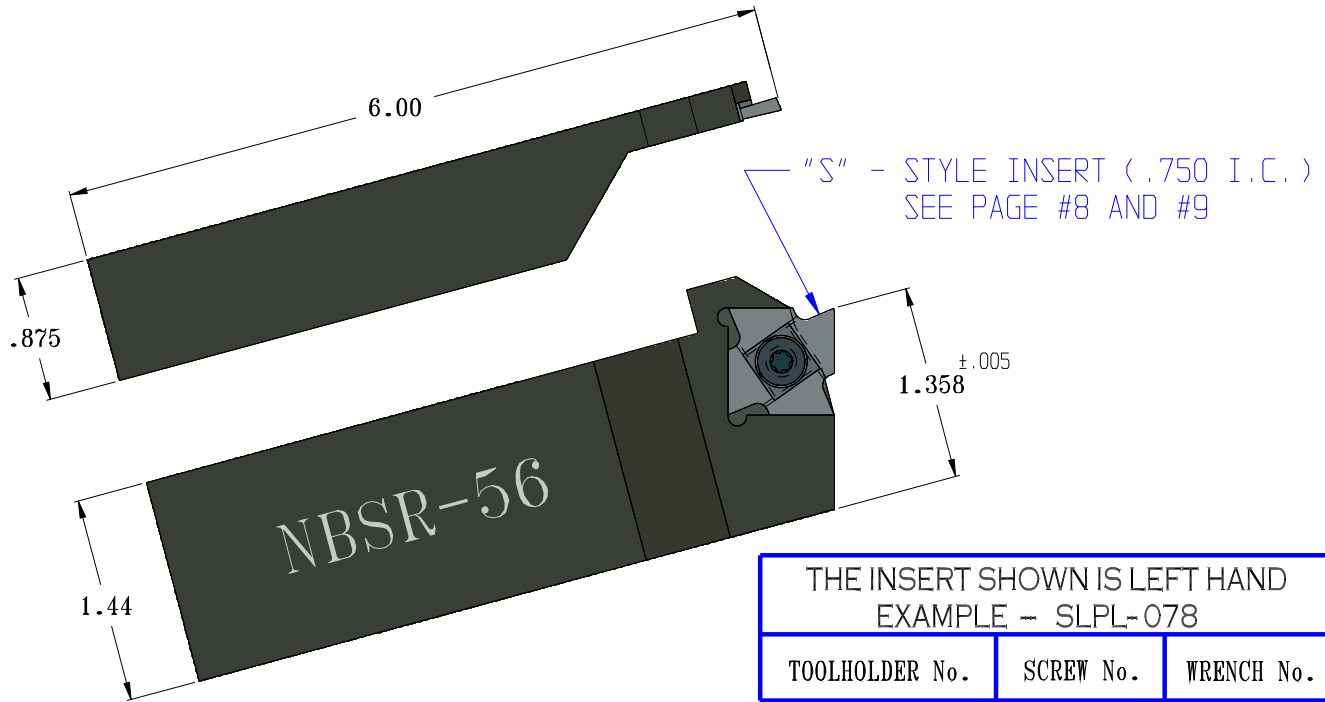




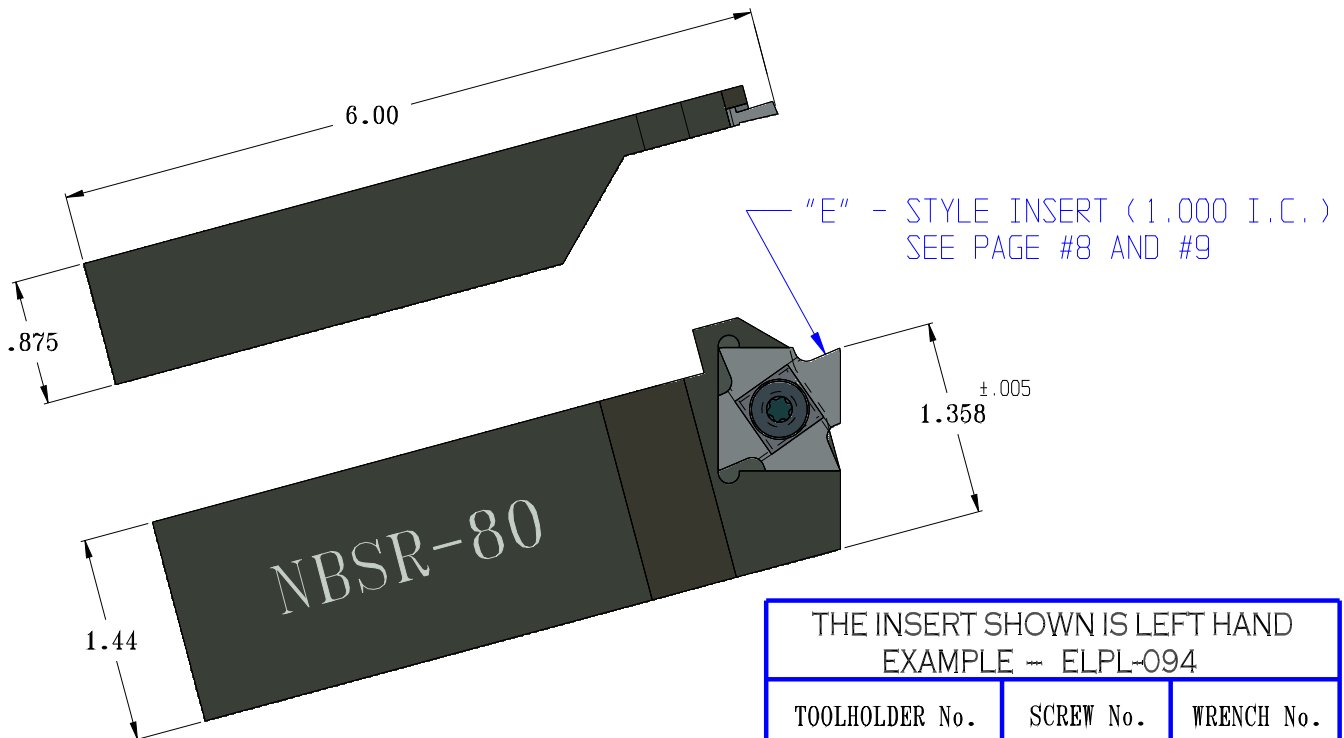
# NEW BRITAIN CUT-OFF TOOLHOLDERS



PATENT No. D307859



| THE INSERT SHOWN IS LEFT HAND<br>EXAMPLE - SLPL-078 |           |            |
|---|-----------|------------|
| TOOLHOLDER No.                                      | SCREW No. | WRENCH No. |
| NBSR-56   | CTD-3341  | CTD-3342   |



| THE INSERT SHOWN IS LEFT HAND<br>EXAMPLE - ELPL-094 |           |            |
|---|-----------|------------|
| TOOLHOLDER No.                                      | SCREW No. | WRENCH No. |
| NBSR-80   | CTD-4857  | CTD-3342   |