

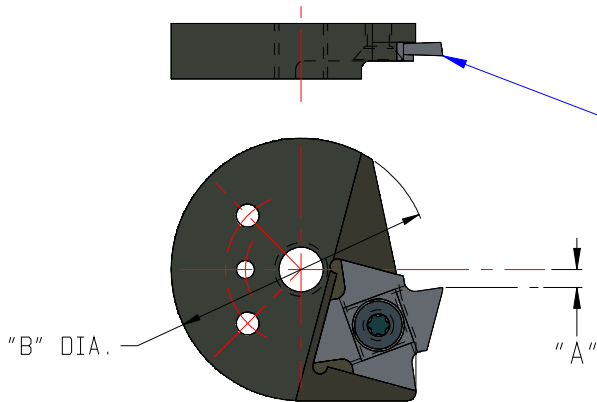


BROWN & SHARPE TOOLHOLDERS



PATENT No. D307859

BROWN & SHARPE RIGHT HAND TOOLHOLDERS



"INSERT STYLE" SEE PAGES #8 AND #9

"S" - STYLE INSERT (.750 I.C.)

"E" - STYLE INSERT (1.000 I.C.)

"H" - STYLE INSERT (1.312 I.C.)

CUTTING TOOL EDGE CONFIGURATIONS SEE PAGE #10

MACHINE	TOOLHOLDER NUMBER	INSERT STYLE	"A"	"B"	SCREW No.	WRENCH No.
#00	00BS-375R-6	"S"	.125	1.75	CTD-3341	CTD-3342
#0	0BS-375R-6	"S"	.156	2.25	CTD-3341	CTD-3342
#2	2BS-375R-6	"S"	.250	3.00	CTD-3341	CTD-3342
#2	2BS-375R-8	"E"	.250	3.00	CTD-4857	CTD-3342
#2	2BS-375R-21	"H"	.250	3.00	CTD-4857	CTD-3342

BROWN & SHARPE LEFT HAND TOOLHOLDERS

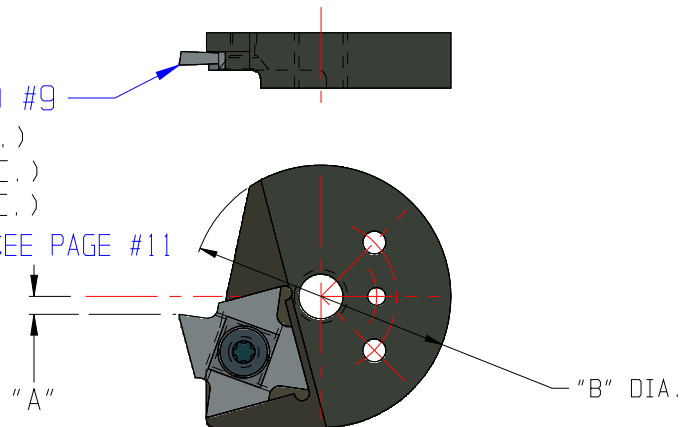
"INSERT STYLE" SEE PAGE #8 AND #9

"S-C" - STYLE INSERT (.750 I.C.)

"E-C" - STYLE INSERT (1.000 I.C.)

"H-C" - STYLE INSERT (1.312 I.C.)

CUTTING TOOL EDGE CONFIGURATIONS SEE PAGE #11

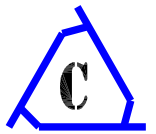


MACHINE	TOOLHOLDER NUMBER	INSERT STYLE	"A"	"B"	SCREW No.	WRENCH No.
#00	00BS-375L-6	"S-C"	.125	1.75	CTD-3341	CTD-3342
#0	0BS-375L-6	"S-C"	.156	2.25	CTD-3341	CTD-3342
#2	2BS-375L-6	"S-C"	.250	3.00	CTD-3341	CTD-3342
#2	2BS-375L-8	"E-C"	.250	3.00	CTD-4857	CTD-3342
#2	2BS-375L-21	"H-C"	.250	3.00	CTD-4857	CTD-3342



WEDGE - LOC™

B & S AND DAVENPORT TOOLHOLDERS



SPECIAL ORDER #00 B & S TOOLHOLDERS

PATENT No. 7862261

INSERT STYLE #2
LOCATED ON PAGE #27

CTD-8770-SP UNIVERSAL SIDE PLATE (1) REQ'D

R.H. POSITION

CTD-8792 WEDGE SCREW

WEDGE

8°

±.003

.125

.220 REF.

"A"

L.H. POSITION

CTD-8237 TORX SCREW (4) REQ'D

WE ALSO SUPPLY HOLDERS AND INSERTS FOR #0 AND #2 BROWN & SHARPS

TOOLHOLDERS	"A"	WEDGE No.
CTD-8770-375	.375	CTD-8766-375
CTD-8770-500	.500	CTD-8766-500
CTD-8770-625	.625	CTD-8766-625
CTD-8770-750	.750	CTD-8766-750

DAVENPORT TOOLHOLDERS

PATENT No. 7862261

INSERT STYLE #3
LOCATED ON PAGE #27

CTD-8780-SP SIDE PLATE

CTD-8237 TORX SCREW (4) REQ'D

WEDGE

8°

±.003

.125

.220 REF.

"A"

CTD-8646 WEDGE SCREW

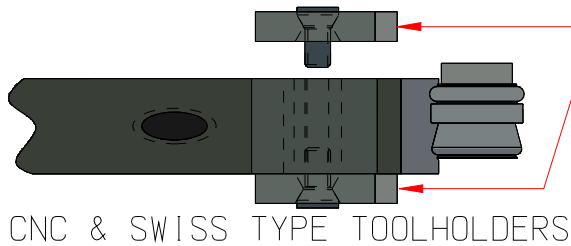
STANDARD HOLDER	"A"	WEDGE No.
CTD-8780-500	.500	CTD-8766-500
SPECIAL ORDER HOLDERS	"A"	WEDGE No.
CTD-8780-375	.375	CTD-8766-375
CTD-8780-625	.625	CTD-8766-625
CTD-8780-750	.750	CTD-8766-750

**FOR VARIATIONS OF THESE TOOLHOLDERS
PLEASE SUBMIT YOUR REQUEST FOR A QUOTE**

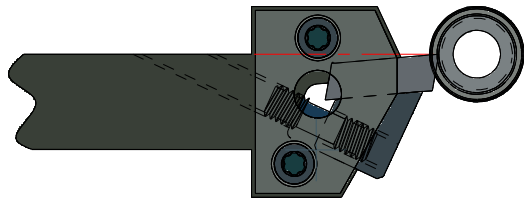


TM

WEDGE-LOC INSERTS & TOOLHOLDERS



CNC & SWISS TYPE TOOLHOLDERS



SEE PAGES 28,29 AND 30

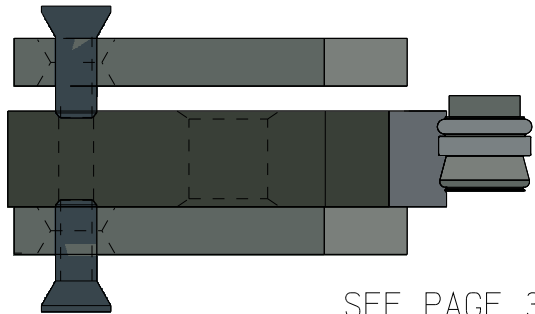
SIDE PLATE CAN BE USED ON BOTH SIDES FOR MOST TOOLHOLDERS.

OUR PATENTED TECHNOLOGY CAN BE APPLIED TO ANY TOOLHOLDER.

ONCE THE TOOLHOLDER IS SET UP, MAKING DIFFERENT PARTS IS AS EASY AS CHANGING THE INSERT.

INSERT IS LOCKED IN BY THE WEDGE, WHICH CAN BE ACCESSED FROM FRONT OR BACK. THIS AIDS IN CHANGING INSERT.

BROWN & SHARP AND DAVENPORT TOOLHOLDERS



SEE PAGE 31.

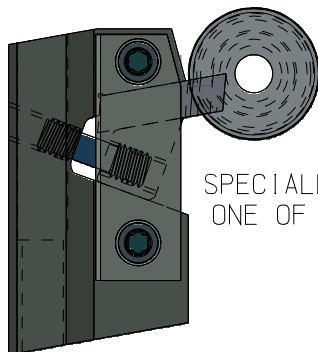
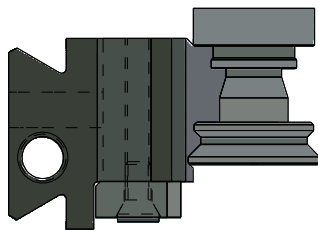
OUR DESIGN STAFF WILL WORK CLOSELY WITH YOU TO PRODUCE INSERTS FOR YOUR PARTS.

WE WILL WORK TO MINIMIZE THE NUMBER OF OPERATIONS, HELPING WITH PRODUCTION.

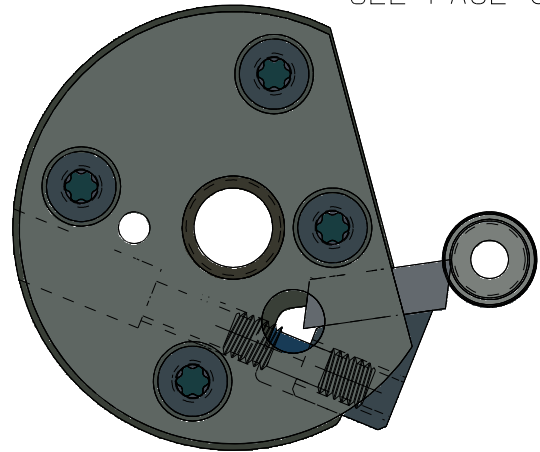
ALL INSERTS HAVE A SPECIAL TOP FINISH FOR IMPROVED PART FINISH.

INSERTS ARE OFFERED IN DIFFERENT GRADES OF CARBIDE OR HIGH SPEED STEEL. INSERT COATINGS AND GRADE IS DEPENDENT ON YOUR PART MATERIAL AND TURNING SPEED.

DOVETAIL TOOLHOLDER



SPECIALLY DESIGNED FOR ONE OF OUR CUSTOMERS.



FOR A FRACTION OF THE COST OF NEW, OUR REGRIND SERVICE REMOVES ANY WEAR AND REAPPLIES SPECIAL FINISH. THE INSERT IS THEN RECOATED.

DUE TO OUR PATENTED DESIGN, INSERTS NEW OR REGROUND WILL LOCATE BACK TO CENTER HEIGHT AND LENGTH.

PATENT No. 7862261