

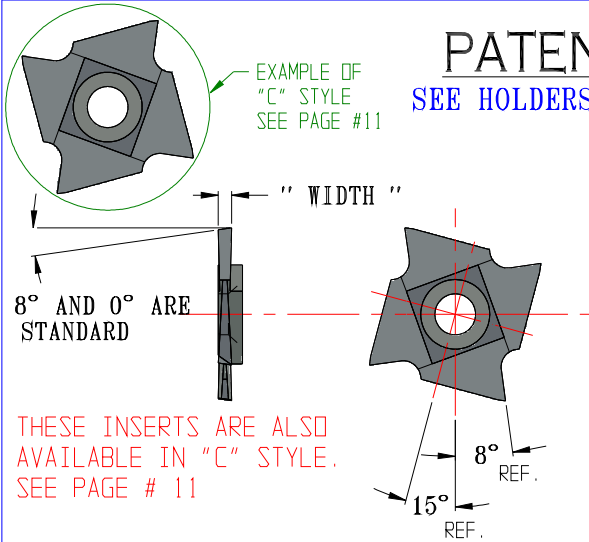


SQUARE CUT-OFF INSERT CARBIDE & HSS



PATENT No. D307859

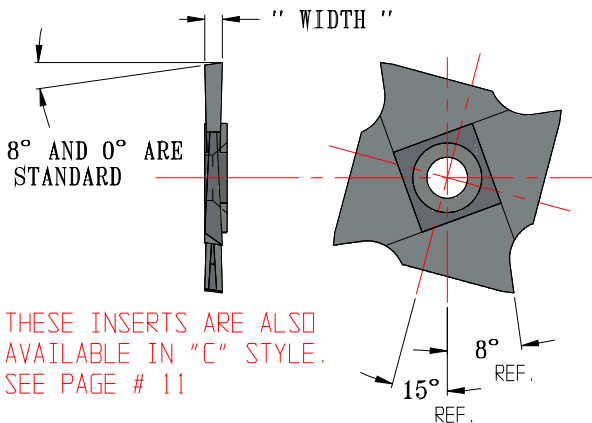
SEE HOLDERS ON PAGES #12, #13, #14, #15, #17, #18, AND #19



THESE INSERTS ARE ALSO AVAILABLE IN "C" STYLE. SEE PAGE # 11

.750 I.C. INSERTS			
R.H. INSERTS	L.H. INSERTS	WIDTH	MAX. DIA CUT OFF
SLPR-031	SLPL-031	.031	.187
SLPR-047	SLPL-047	.047	.312
SLPR-063	SLPL-063	.063	.500
SLPR-078	SLPL-078	.078	.562
SLPR-094	SLPL-094	.094	.562
SLPR-125	SLPL-125	.125	.562

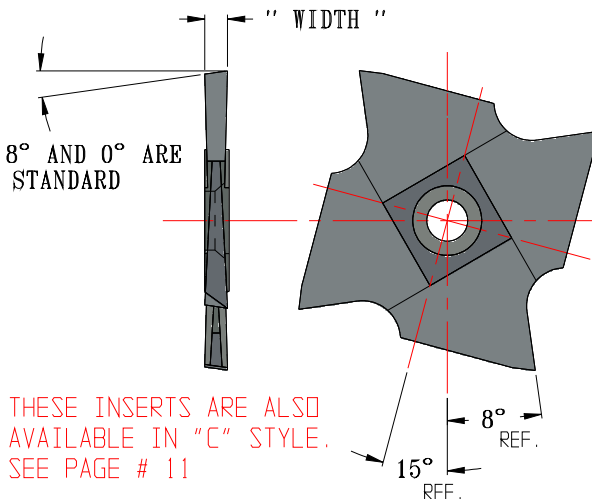
INSERTS SHOWN ARE RIGHT HAND WITH 8°
EXAMPLE: SLPR-063
FOR 0° END ORDER AS SLPR-.063-0
SEE PAGE #10 FOR ORDERING CONFIGURATIONS



THESE INSERTS ARE ALSO AVAILABLE IN "C" STYLE. SEE PAGE # 11

1.000 I.C. INSERTS			
R.H. INSERTS	L.H. INSERTS	WIDTH	MAX. DIA CUT OFF
ELPR-063	ELPL-063	.063	.844
ELPR-078	ELPL-078	.078	.844
ELPR-094	ELPL-094	.094	.844
ELPR-125	ELPL-125	.125	.844

INSERTS SHOWN ARE RIGHT HAND WITH 8°
EXAMPLE: ELPR-094
FOR 0° END ORDER AS ELPR-.094-0
SEE PAGE #10 FOR ORDERING CONFIGURATIONS



THESE INSERTS ARE ALSO AVAILABLE IN "C" STYLE. SEE PAGE # 11

1.312 I.C. INSERTS			
R.H. INSERTS	L.H. INSERTS	WIDTH	MAX. DIA CUT OFF
HLPR-063	HLPL-063	.063	1.250
HLPR-078	HLPL-078	.078	1.250
HLPR-094	HLPL-094	.094	1.250
HLPR-125	HLPL-125	.125	1.250

INSERTS SHOWN ARE RIGHT HAND WITH 8°
EXAMPLE: HLPR-125
FOR 0° END ORDER AS HLPR-.125-0
SEE PAGE #10 FOR ORDERING CONFIGURATIONS

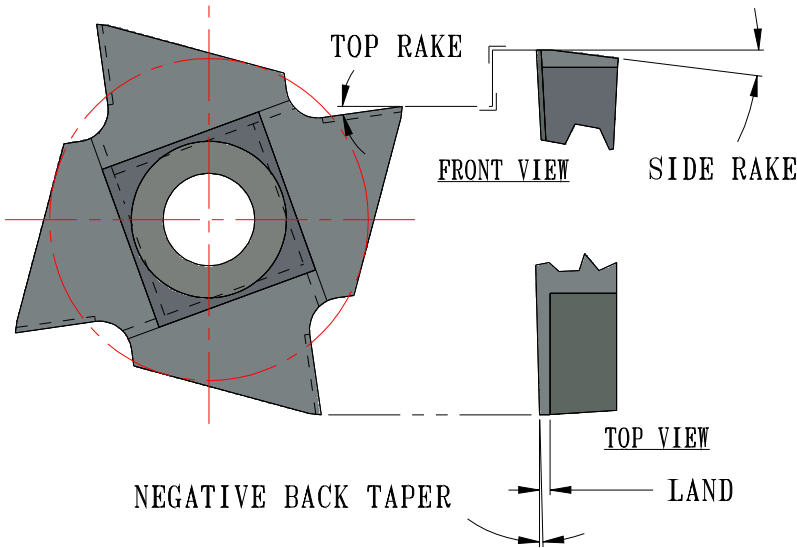
****OTHER CONFIGURATIONS AVAILABLE BY SPECIAL ORDER****



SQUARE CUT-OFF INSERT WITH CHIP CONTROL



PATENT No. 8,734,064 B2



BENEFITS

- * GROUND CHIP CONTROL
- * CONTROLS CHIP AWAY FROM COOLANT FLOW
- * LONGER TOOL LIFE
- * MINIMUM DOWN TIME
- * CONSISTENT QUALITY

ORDERING EXAMPLES

INSERT I.C.	R.H. INSERTS	L.H. INSERTS	WIDTH
.750 I.C.	CTD-9300R-063	CTD-9300L-063	.063
1.000 I.C.	CTD-9310R-125	CTD-9310L-125	.125
1.312 I.C.	CTD-9320R-094	CTD-9320L-094	.094

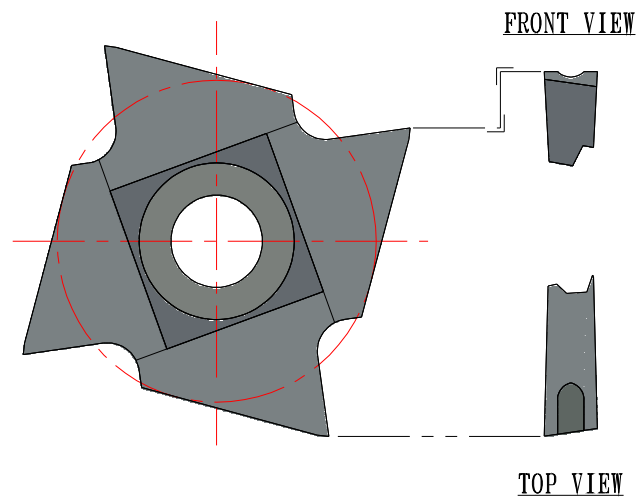
SEE HOLDERS ON PAGES #12, #13, #14,
#15, #17, #18, AND #19

**CHIP CONTROL IS AVAILABLE FOR MOST CUT-OFF INSERTS
PRICED ON REQUEST**

PATENT No. D307859

BENEFITS

- * CHIP CONTROL
- * GROUND IN CHIP CONTROL FOR SUPERIOR PERFORMANCE
- * LONGER TOOL LIFE
- * MINIMUM DOWN TIME
- * CONSISTENT QUALITY



ORDERING EXAMPLES

INSERT I.C.	R.H. INSERTS	L.H. INSERTS	WIDTH
.750 I.C.	SLCBL-063	SLCBL-063	.063
1.000 I.C.	ELCBL-125	ELCBL-125	.125
1.312 I.C.	HLCBL-094	HLCBL-094	.094

SEE HOLDERS ON PAGES #12, #13,
#14, #15, #17, #18, AND #19

**CHIP CONTROL IS AVAILABLE FOR ALL CUT-OFF INSERTS
PRICED ON REQUEST**



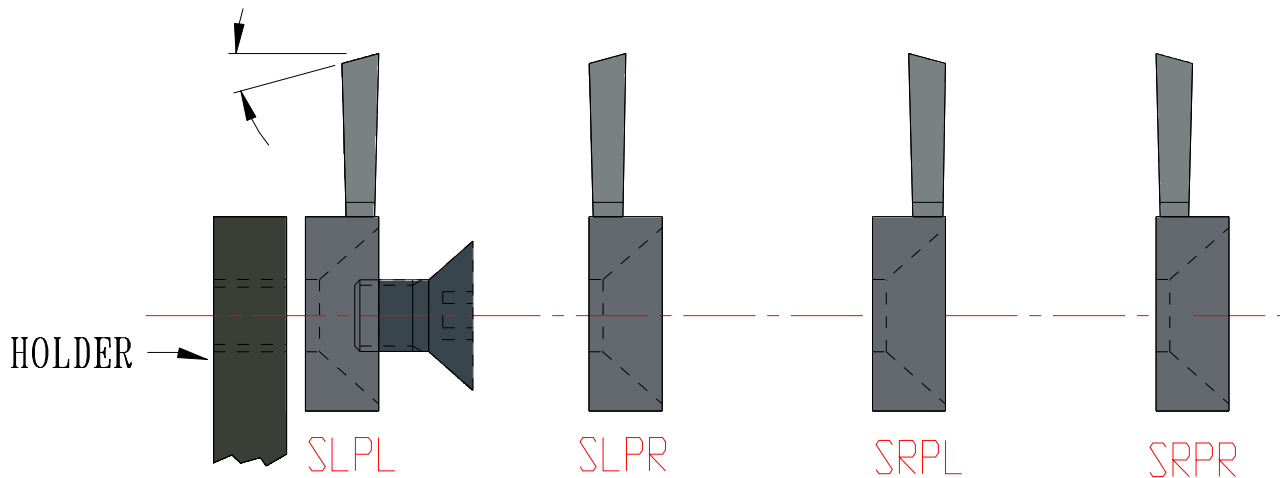
SQUARE CUT-OFF INSERT TOOL SPECIFICATIONS



PATENT No. D307859

FOR SQUARE CUT-OFF INSERTS

8° OR 0° STANDARD



1ST LETTER DETERMINES TOOL SIZE.

S = .750 I.C., E = 1.000 I.C., H= 1.312 I.C.

2ND LETTER = CUTTING ANGLE DIRECTION FOR 8°.

3RD LETTER = POSITIVE GROUND, REPLACE THE 'P' WITH 'CB' GIVES THE INSERT A CHIP BREAKER.

4TH LETTER = TOOL HEAD LOCATION LEFT OR RIGHT

1ST 3 NUMBERS AFTER DASH (-) = CUT-OFF WIDTH

ANY NUMBERS AFTER 2ND DASH (-) = FRONT ANGLE

0 AFTER 3RD DASH (-) = 0° BACK

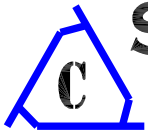
EXAMPLES;

SLPL-.063 = .750 I.C., 8° FRONT ANGLE TO LEFT, HEAD AWAY FROM HOLDER, AND .063 WIDE.

SLPR-.063-15-0 = .750 I.C., 15° FRONT ANGLE TO LEFT, HEAD .063 WIDE, CLOSE TO HOLDER AND, 0° BACK

OTHER CONFIGURATIONS AVAILABLE BY SPECIAL ORDER

**ALL OF THE ABOVE INSERTS SHOW THE
TOP VIEW OF THE CUTTING EDGE**



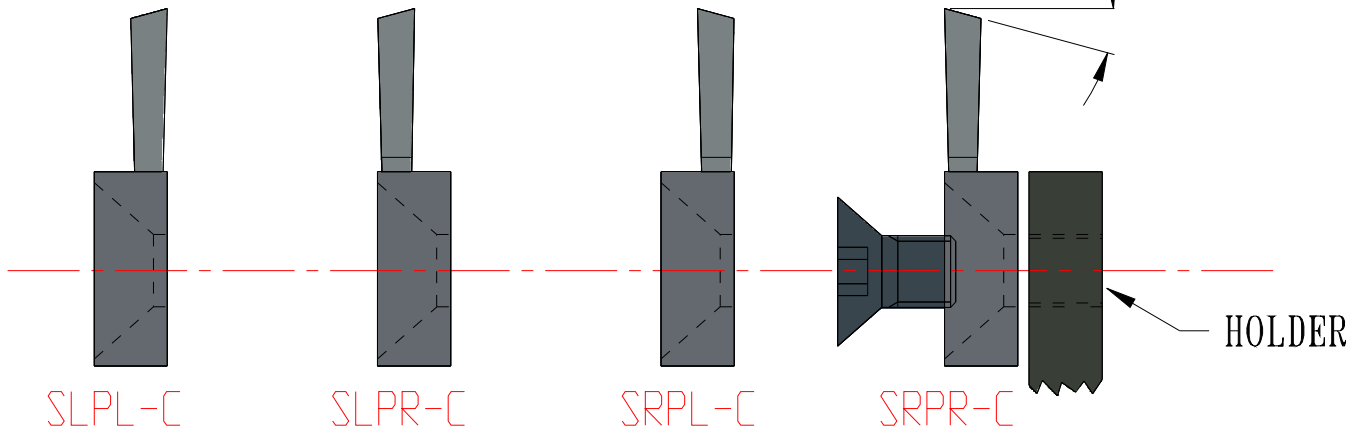
SQUARE CUT-OFF INSERT TOOL SPECIFICATIONS



PATENT No. D307859 FOR SQUARE CUT-OFF INSERTS

"C" STYLE INSERTS

8° OR 0° ARE STANDARD



1ST LETTER DETERMINES TOOL SIZE.
S = .750 I.C., E = 1.000 I.C., H= 1.312 I.C.
2ND LETTER = CUTTING ANGLE DIRECTION FOR 8°
3RD LETTER = POSITIVE GROUND, REPLACE 'P'
WITH 'CB' GIVES THE INSERT A CHIP BREAKER.
4TH LETTER = TOOL HEAD LOCATION LEFT OR RIGHT
1ST 3 NUMBERS AFTER DASH (-) = CUT-OFF WIDTH
C AFTER 3 NUMBERS, INSERT CUTS CLOSE TO COLLET
ANY NUMBERS AFTER 2ND DASH (-) = FRONT ANGLE
0 AFTER 3RD DASH (-) = 0° BACK

EXAMPLES;

SLPL-.063C = .750 I.C., 8° FRONT ANGLE TO LEFT,
HEAD NEAR HOLDER AND .063 WIDE.

SLPR-.063C-15-0 = .750 I.C., 15° FRONT ANGLE TO LEFT,
HEAD .063 WIDE, AWAY FROM HOLDER, AND 0° BACK.

OTHER CONFIGURATIONS AVAILABLE BY SPECIAL ORDER

**ALL OF THE ABOVE INSERTS SHOW THE
TOP VIEW OF THE CUTTING EDGE**