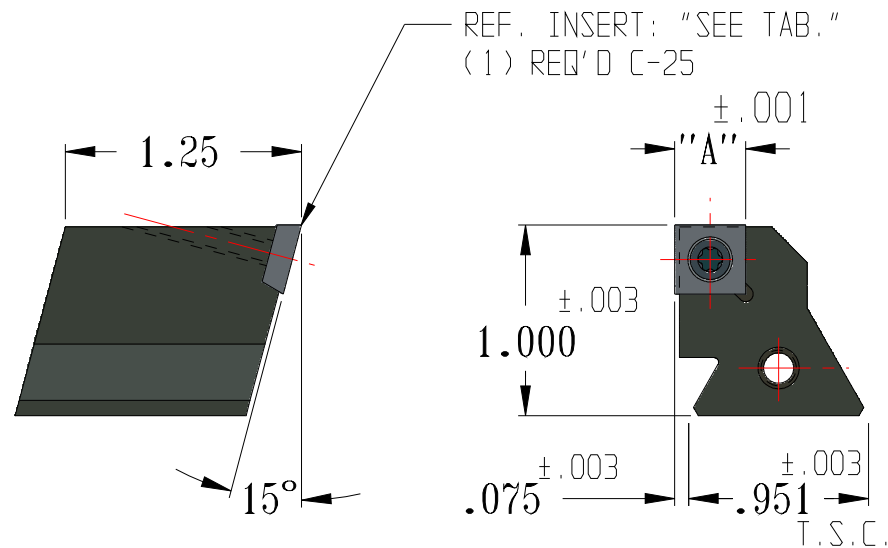
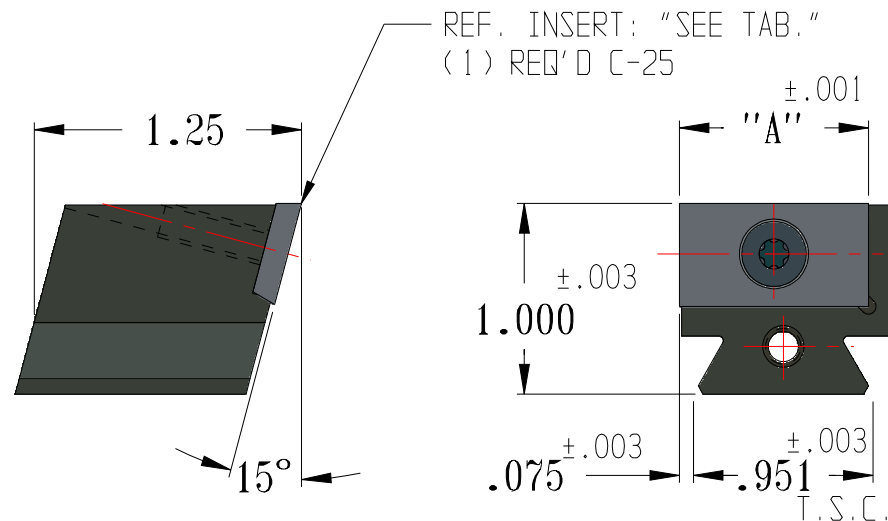




INSERTED DOVETAILED TOOLHOLDERS



"A"	INSERT NUMBER	NUMBER OF CUTTING EDGES	TOOLHOLDER NUMBER	SCREW No.	WRENCH No.
.375	CTD-8516-375	(4)	CTD-8515-375	CTD-4110	CTD-4112
.500	CTD-8516-500	(4)	CTD-8515-500	CTD-4111	CTD-4112



"A"	INSERT NUMBER	NUMBER OF CUTTING EDGES	TOOLHOLDER NUMBER	SCREW No.	WRENCH No.
.750	CTD-8516-750	(2)	CTD-8515-750	CTD-4857	CTD-3342
1.000	CTD-8516-1.000	(2)	CTD-8515-1.000	CTD-4857	CTD-3342



ENLARGED VIEWS OF A FEW SPECIAL INSERT FORMS

DEPENDING ON FORM, INSERTS MAY BE SINGLE ENDED.

SUBMIT YOUR SPECIAL TOOLING REQUIREMENTS TO US TODAY FOR A QUOTATION USING THIS STYLE OF INSERT