

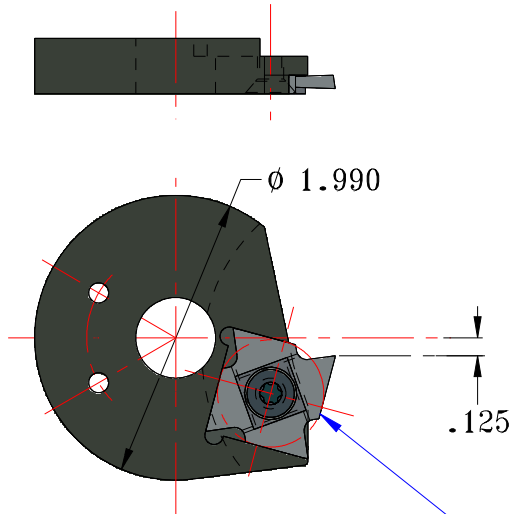


DAVENPORT CUT-OFF TOOLHOLDERS



PATENT No. D307859

DAVENPORT REGULAR C/O TOOLHOLDER

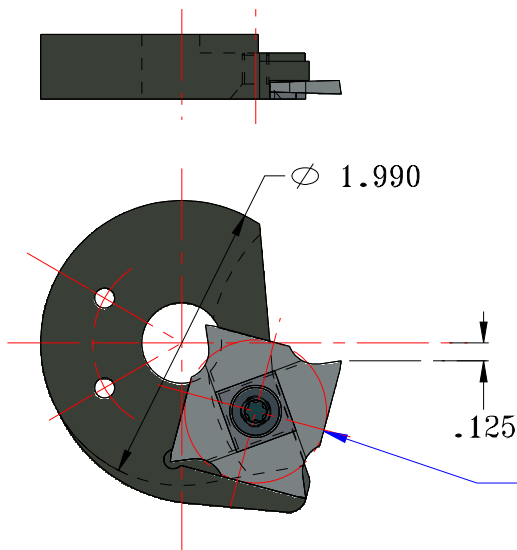


THE INSERT SHOWN IS RIGHT HAND
EXAMPLE - SLPR-078

TOOLHOLDER No.	SCREW No.	WRENCH No.
DPCL-375-R6	CTD-3341	CTD-3342

"S" - STYLE INSERT (.750 I.C.)
SEE PAGE #8

DAVENPORT OVERSIZE C/O TOOLHOLDER



THE INSERT SHOWN IS RIGHT HAND
EXAMPLE - ELPR-094

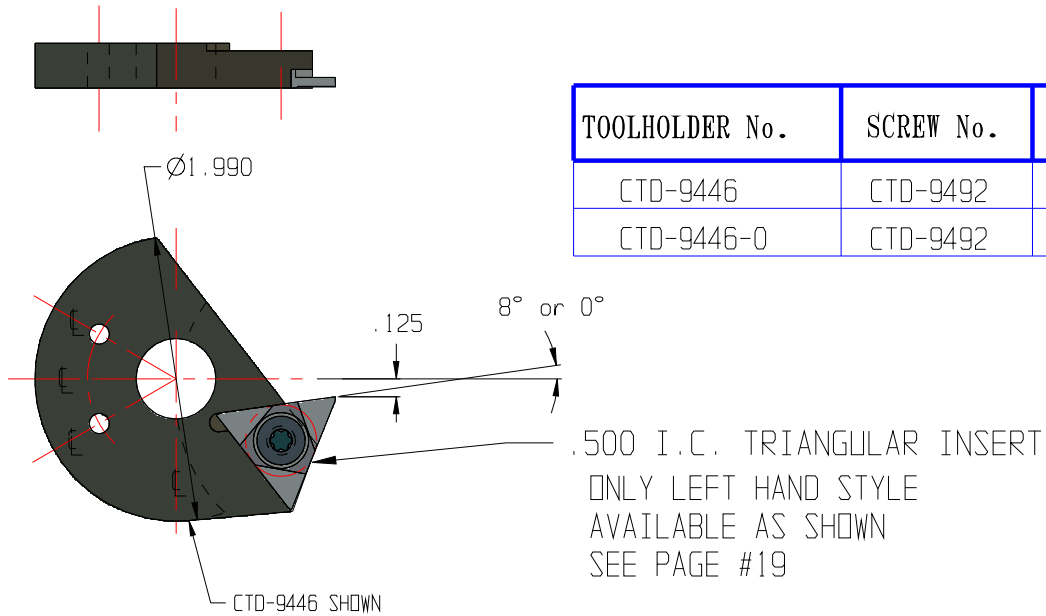
TOOLHOLDER No.	SCREW No.	WRENCH No.
DPCL-437-8	CTD-4857	CTD-3342

"E" - STYLE INSERT (1.000 I.C.)
SEE PAGE #8

TRIANGULAR INSERTED DAVENPORT CUT-OFF TOOLHOLDERS

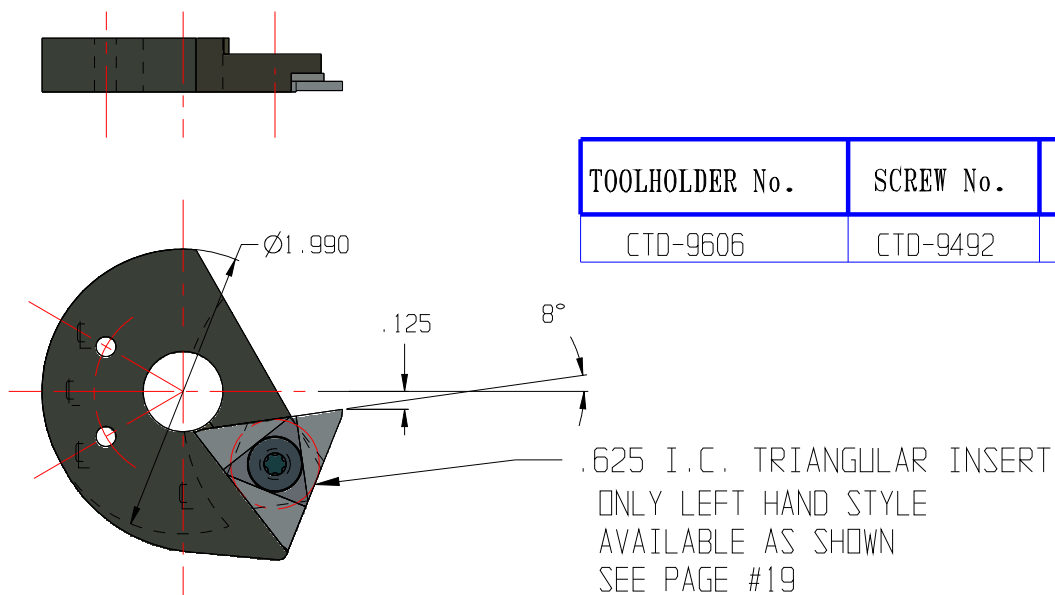


DAVENPORT REGULAR C/O TOOLHOLDER



TOOLHOLDER No.	SCREW No.	WRENCH No.
CTD-9446	CTD-9492	1/8 HEX
CTD-9446-0	CTD-9492	1/8 HEX

DAVENPORT OVERSIZE C/O TOOLHOLDER

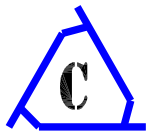


TOOLHOLDER No.	SCREW No.	WRENCH No.
CTD-9606	CTD-9492	1/8 HEX



WEDGE - LOC™

B & S AND DAVENPORT TOOLHOLDERS



SPECIAL ORDER #00 B & S TOOLHOLDERS

PATENT No. 7862261

INSERT STYLE #2
LOCATED ON PAGE #27

CTD-8770-SP UNIVERSAL SIDE PLATE (1) REQ'D

R.H. POSITION

CTD-8792 WEDGE SCREW

WEDGE

8°

±.003

.125

.220 REF.

"A"

L.H. POSITION

CTD-8237 TORX SCREW (4) REQ'D

WE ALSO SUPPLY HOLDERS AND INSERTS FOR #0 AND #2 BROWN & SHARPS

TOOLHOLDERS	"A"	WEDGE No.
CTD-8770-375	.375	CTD-8766-375
CTD-8770-500	.500	CTD-8766-500
CTD-8770-625	.625	CTD-8766-625
CTD-8770-750	.750	CTD-8766-750

DAVENPORT TOOLHOLDERS

PATENT No. 7862261

INSERT STYLE #3
LOCATED ON PAGE #27

CTD-8780-SP SIDE PLATE

CTD-8237 TORX SCREW (4) REQ'D

WEDGE

8°

±.003

.125

.220 REF.

"A"

CTD-8646 WEDGE SCREW

STANDARD HOLDER	"A"	WEDGE No.
CTD-8780-500	.500	CTD-8767-375
SPECIAL ORDER HOLDERS	"A"	WEDGE No.
CTD-8780-375	.375	CTD-8767-500
CTD-8780-625	.625	CTD-8767-625
CTD-8780-750	.750	CTD-8767-750

**FOR VARIATIONS OF THESE TOOLHOLDERS
PLEASE SUBMIT YOUR REQUEST FOR A QUOTE**