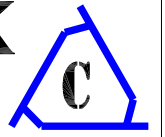


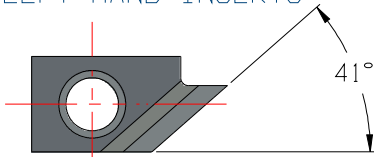
INSERTABLE COUNTERSINK INSERTS



PATENT Nos. D396,865 & 5,827,019

SEE PAGE #7 FOR STANDARD HOLDERS

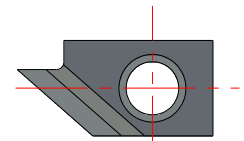
LEFT HAND INSERTS



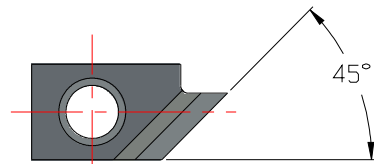
41° INSERTS

L.H. INSERT No.	R.H. INSERT No.
CSI-41	CSI-41R

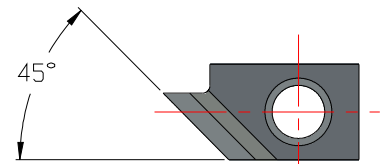
RIGHT HAND INSERTS



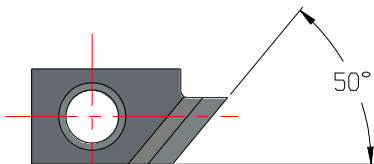
45° INSERTS



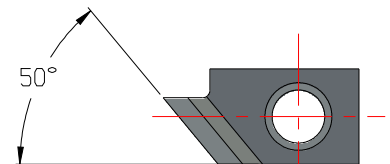
L.H. INSERT No.	R.H. INSERT No.
CSI-45	CSI-45R



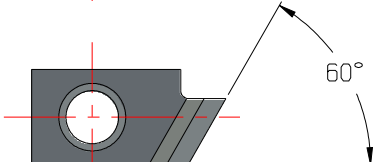
50° INSERTS



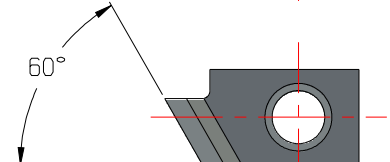
L.H. INSERT No.	R.H. INSERT No.
CSI-50	CSI-50R



60° INSERTS

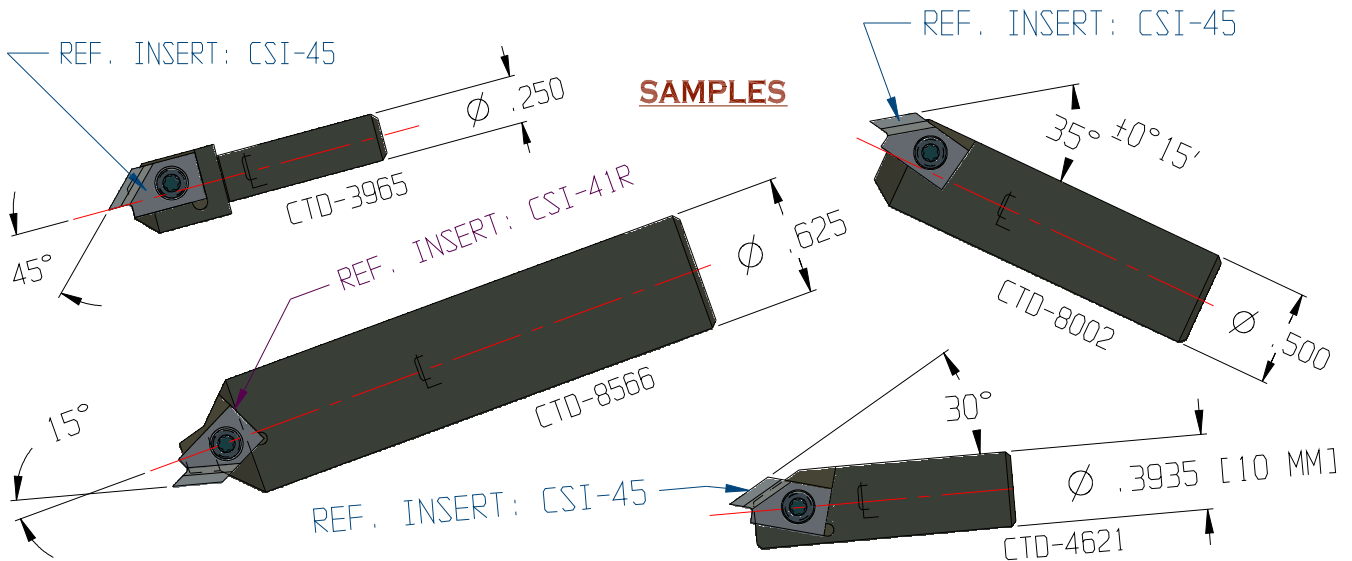


L.H. INSERT No.	R.H. INSERT No.
CSI-60	CSI-60R



STANDARD INSERTS IN SPECIAL TOOLHOLDERS

CREATE ANY INCLUDED ANGLE AND DIAMETER WITH A SPECIAL HOLDER,
USING A STANDARD INSERT, DESIGNED TO YOUR SPECIFICATIONS.

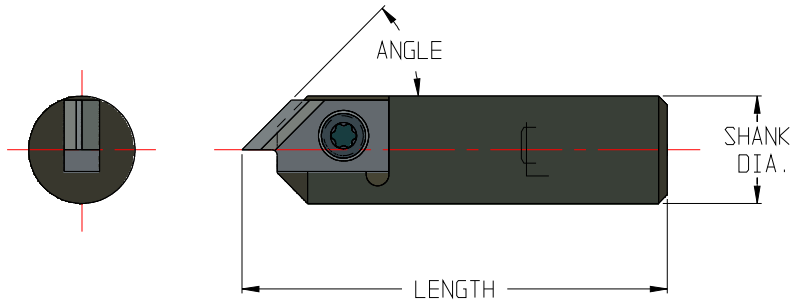




INSERTED COUNTERSINK TOOLHOLDERS



PATENT Nos. D396,865 & 5,827,019



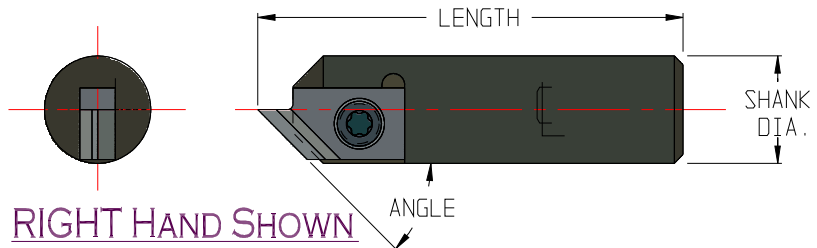
SEE INSERTS ON PAGE #6

FEATURES

- * COUNTERSINK RANGE FROM .035 TO ϕ .325
- * BACKWORKING LEFT HAND CUTTING
- * CHAMFERING BACK END OF PART I.D.
- * LARGER RANGES AVAILABLE ON REQUEST
- * THREE OTHER LENGTHS ARE AVAILABLE AS STANDARDS: 1.0, 2.0 AND 2.5
EXAMPLE: CSH-90-500-1.0
CSH-90-500-2.0
CSH-90-500-2.5

LEFT HAND		LEFT HAND SHOWN					
INCLUDED ANGLE	TOOLHOLDER No.	TOOL LENGTH	SHANK DIA.	INSERT ANGLE	INSERT NO.	SCREW No.	WRENCH No.
82°	CSH-90-375	1.5	.375	41°	CSI-41	CTD-3126	CTD-3344
90°	CSH-90-375	1.5	.375	45°	CSI-45	CTD-3126	CTD-3344
100°	CSH-90-375	1.5	.375	50°	CSI-50	CTD-3126	CTD-3344
120°	CSH-120-375	1.5	.375	60°	CSI-60	CTD-3126	CTD-3344
90°	CSH-90-437	1.5	.4375	45°	CSI-45	CTD-3126	CTD-3344
82°	CSH-90-500	1.5	.500	41°	CSI-41	CTD-3126	CTD-3344
90°	CSH-90-500	1.5	.500	45°	CSI-45	CTD-3126	CTD-3344
100°	CSH-90-500	1.5	.500	50°	CSI-50	CTD-3126	CTD-3344
120°	CSH-120-500	1.5	.500	60°	CSI-60	CTD-3126	CTD-3344
90°	CSH-90-625	1.5	.625	45°	CSI-45	CTD-3126	CTD-3344
90°	CSH-90-750	1.5	.750	45°	CSI-45	CTD-3126	CTD-3344
90°	CSH-90-10MM	1.5	.3937	45°	CSI-45	CTD-3126	CTD-3344

* OTHER LENGTHS AVAILABLE BY SPECIAL ORDER FOR HOLDERS ON THIS PAGE



SEE INSERTS ON PAGE #6

RIGHT HAND		RIGHT HAND SHOWN					
INCLUDED ANGLE	TOOLHOLDER No.	TOOL LENGTH	SHANK DIA.	INSERT ANGLE	INSERT NO.	SCREW No.	WRENCH No.
82°	CSH-90-375R	1.5	.375	41°	CSI-41R	CTD-3126	CTD-3344
90°	CSH-90-375R	1.5	.375	45°	CSI-45R	CTD-3126	CTD-3344
100°	CSH-90-375R	1.5	.375	50°	CSI-50R	CTD-3126	CTD-3344
120°	CSH-120-375R	1.5	.375	60°	CSI-60R	CTD-3126	CTD-3344
90°	CSH-90-437R	1.5	.4375	45°	CSI-45R	CTD-3126	CTD-3344
82°	CSH-90-500R	1.5	.500	41°	CSI-41R	CTD-3126	CTD-3344
90°	CSH-90-500R	1.5	.500	45°	CSI-45R	CTD-3126	CTD-3344
100°	CSH-90-500R	1.5	.500	50°	CSI-50R	CTD-3126	CTD-3344
120°	CSH-120-500R	1.5	.500	60°	CSI-60R	CTD-3126	CTD-3344
90°	CSH-90-625R	1.5	.625	45°	CSI-45R	CTD-3126	CTD-3344
90°	CSH-90-750R	1.5	.750	45°	CSI-45R	CTD-3126	CTD-3344
90°	CSH-90-10MMR	1.5	.3937	45°	CSI-45R	CTD-3126	CTD-3344