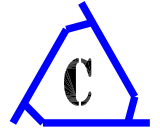


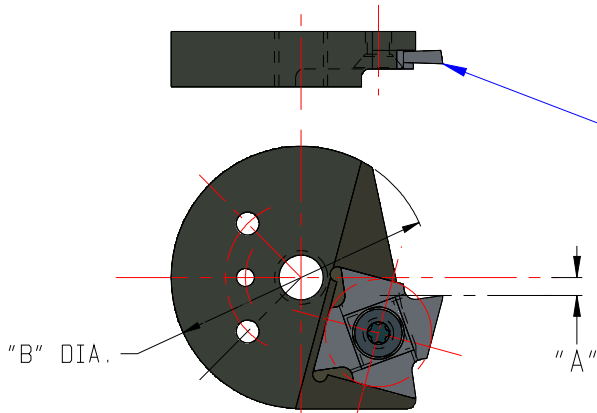


# BROWN & SHARPE TOOLHOLDERS



PATENT No. D307859

## BROWN & SHARPE RIGHT HAND TOOLHOLDERS



"INSERT STYLE" SEE PAGE #8

"S" - STYLE INSERT (.750 I.C.)

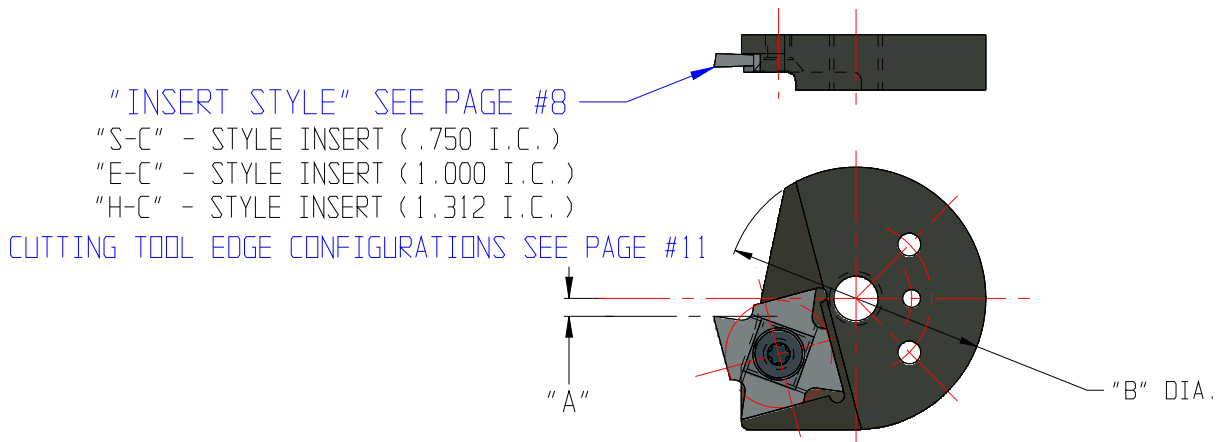
"E" - STYLE INSERT (1.000 I.C.)

"H" - STYLE INSERT (1.312 I.C.)

CUTTING TOOL EDGE CONFIGURATIONS SEE PAGE #10

MACHINE	TOOLHOLDER NUMBER	INSERT STYLE	"A"	"B"	SCREW No.	WRENCH No.
#00	00BS-375R-6	"S"	.125	1.75	CTD-3341	CTD-3342
#0	0BS-375R-6	"S"	.156	2.25	CTD-3341	CTD-3342
#2	2BS-375R-6	"S"	.250	3.00	CTD-3341	CTD-3342
#2	2BS-375R-8	"E"	.250	3.00	CTD-4857	CTD-3342
#2	2BS-375R-21	"H"	.250	3.00	CTD-4857	CTD-3342

## BROWN & SHARPE LEFT HAND TOOLHOLDERS



"INSERT STYLE" SEE PAGE #8

"S-C" - STYLE INSERT (.750 I.C.)

"E-C" - STYLE INSERT (1.000 I.C.)

"H-C" - STYLE INSERT (1.312 I.C.)

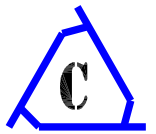
CUTTING TOOL EDGE CONFIGURATIONS SEE PAGE #11

MACHINE	TOOLHOLDER NUMBER	INSERT STYLE	"A"	"B"	SCREW No.	WRENCH No.
#00	00BS-375L-6	"S-C"	.125	1.75	CTD-3341	CTD-3342
#0	0BS-375L-6	"S-C"	.156	2.25	CTD-3341	CTD-3342
#2	2BS-375L-6	"S-C"	.250	3.00	CTD-3341	CTD-3342
#2	2BS-375L-8	"E-C"	.250	3.00	CTD-4857	CTD-3342
#2	2BS-375L-21	"H-C"	.250	3.00	CTD-4857	CTD-3342



# WEDGE - LOC™

## B & S AND DAVENPORT TOOLHOLDERS



### SPECIAL ORDER #00 B & S TOOLHOLDERS

**PATENT No. 7862261**

INSERT STYLE #2  
LOCATED ON PAGE #27

CTD-8770-SP UNIVERSAL SIDE PLATE (1) REQ'D

R.H. POSITION

CTD-8792 WEDGE SCREW

WEDGE

8°

±.003

.125

.220 REF.

"A"

L.H. POSITION

CTD-8237 TORX SCREW (4) REQ'D

WE ALSO SUPPLY HOLDERS AND INSERTS FOR #0 AND #2 BROWN & SHARPS

TOOLHOLDERS	"A"	WEDGE No.
CTD-8770-375	.375	CTD-8766-375
CTD-8770-500	.500	CTD-8766-500
CTD-8770-625	.625	CTD-8766-625
CTD-8770-750	.750	CTD-8766-750

### DAVENPORT TOOLHOLDERS

**PATENT No. 7862261**

INSERT STYLE #3  
LOCATED ON PAGE #27

CTD-8780-SP SIDE PLATE

CTD-8237 TORX SCREW (4) REQ'D

WEDGE

8°

±.003

.125

.220 REF.

"A"

CTD-8646 WEDGE SCREW

STANDARD HOLDER	"A"	WEDGE No.
CTD-8780-500	.500	CTD-8767-375
SPECIAL ORDER HOLDERS	"A"	WEDGE No.
CTD-8780-375	.375	CTD-8767-500
CTD-8780-625	.625	CTD-8767-625
CTD-8780-750	.750	CTD-8767-750

**FOR VARIATIONS OF THESE TOOLHOLDERS  
PLEASE SUBMIT YOUR REQUEST FOR A QUOTE**