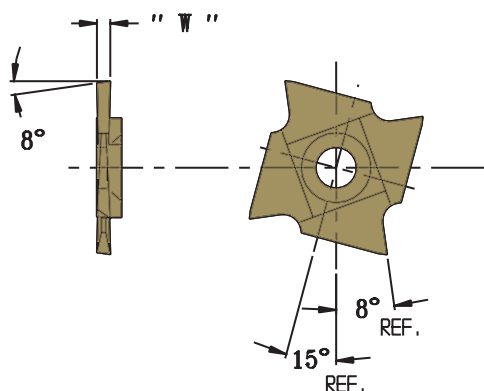




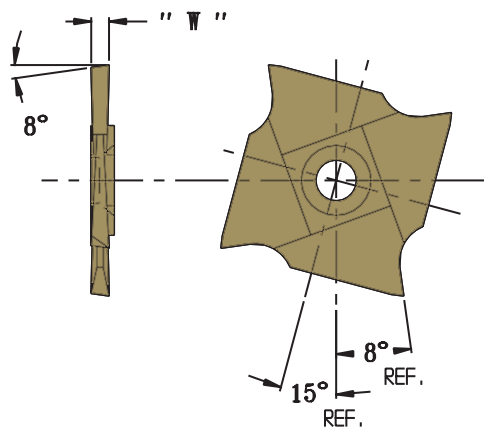
SQUARE CUT OFF INSERTS CARBIDE & HSS

PATENT No. D307859



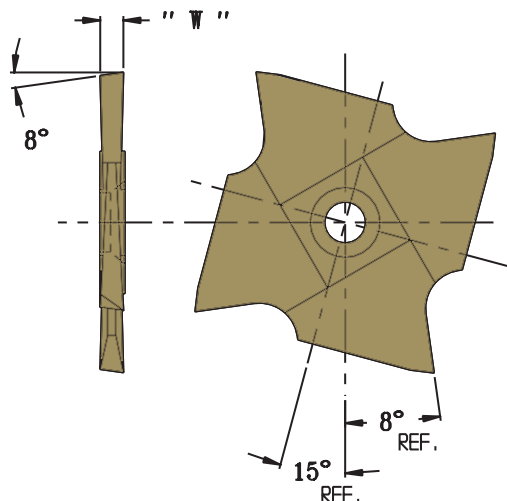
| .750 I.C. INSERTS | | | |
|--------------------------|--------------|-------|------------------|
| R.H. INSERTS | L.H. INSERTS | WIDTH | MAX. DIA CUT OFF |
| SLPR-031 | SLPL-031 | .031 | .187 |
| SLPR-047 | SLPL-047 | .047 | .312 |
| SLPR-063 | SLPL-063 | .063 | .500 |
| SLPR-078 | SLPL-078 | .078 | .562 |
| SLPR-094 | SLPL-094 | .094 | .562 |
| SLPR-125 | SLPL-125 | .125 | .562 |

INSERTS SHOWN ARE RIGHT HAND
EXAMPLE: SLPR-063



| 1.000 I.C. INSERTS | | | |
|---------------------------|--------------|-------|------------------|
| R.H. INSERTS | L.H. INSERTS | WIDTH | MAX. DIA CUT OFF |
| ELPR-063 | ELPL-063 | .063 | .844 |
| ELPR-078 | ELPL-078 | .078 | .844 |
| ELPR-094 | ELPL-094 | .094 | .844 |
| ELPR-125 | ELPL-125 | .125 | .844 |

INSERTS SHOWN ARE RIGHT HAND
EXAMPLE: ELPR-094



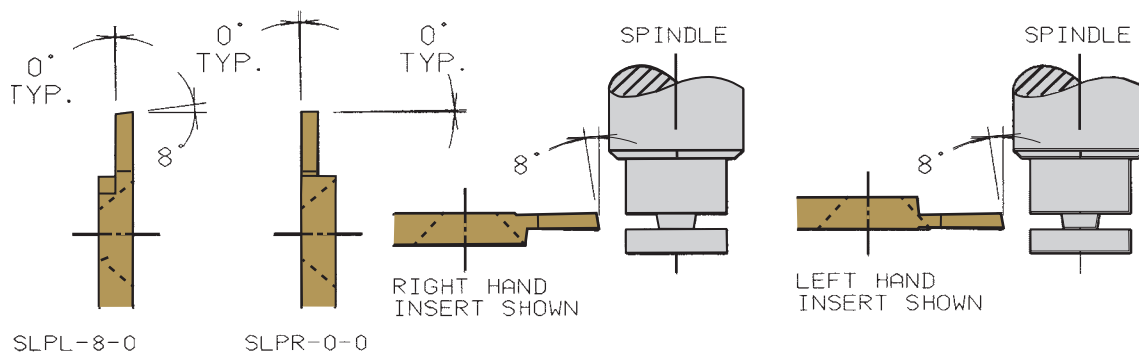
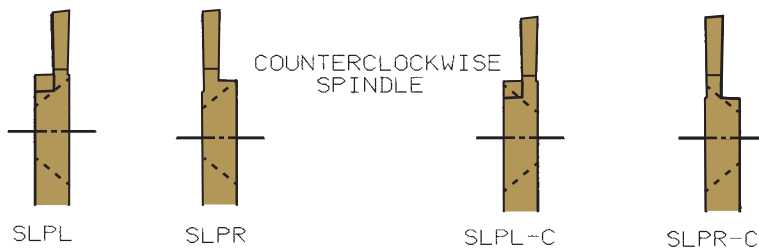
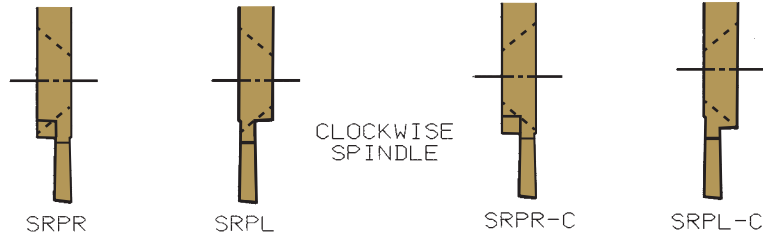
| 1.312 I.C. INSERTS | | | |
|---------------------------|--------------|-------|------------------|
| R.H. INSERTS | L.H. INSERTS | WIDTH | MAX. DIA CUT OFF |
| HLPR-063 | HLPL-063 | .063 | 1.250 |
| HLPR-078 | HLPL-078 | .078 | 1.250 |
| HLPR-094 | HLPL-094 | .094 | 1.250 |
| HLPR-125 | HLPL-125 | .125 | 1.250 |

INSERTS SHOWN ARE RIGHT HAND
EXAMPLE: HLPR-125



SQUARE CUT OFF INSERT TOOL SPECIFICATIONS

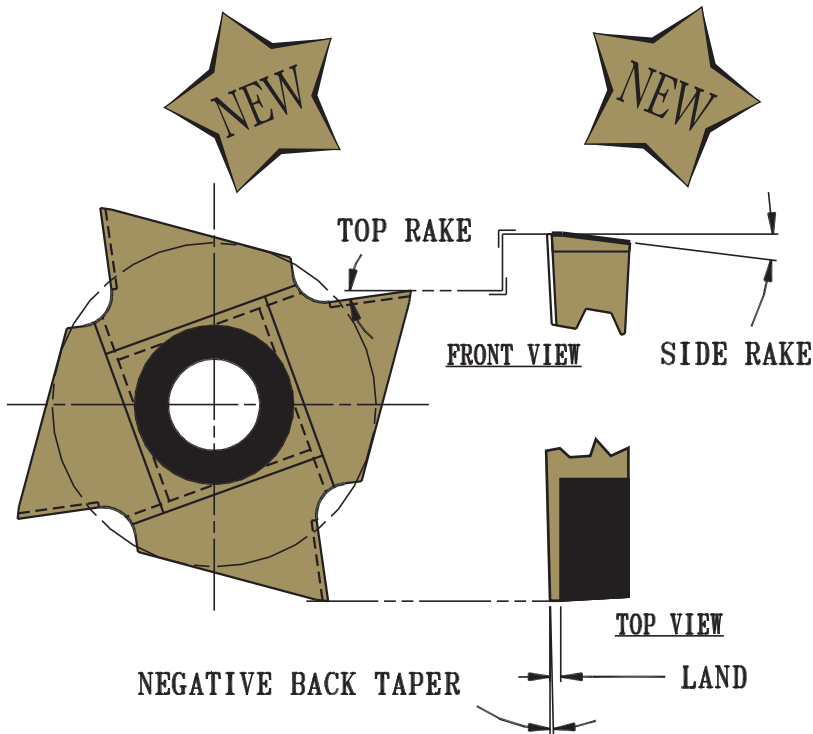
PATENT No. D307859



**ALL OF THE ABOVE INSERTS SHOW THE
TOP VIEW OF THE CUTTING EDGE**



SQUARE CUT OFF INSERTS WITH CHIP CONTROL



PATENT PENDING

BENEFITS:

- *GROUND CHIP CONTROL
- * CONTROLS CHIP AWAY FROM COOLANT FLOW
- *MINIMUM DOWN TIME
- *CONSISTENT QUALITY

ORDERING EXAMPLES

- .750 I.C. — CTD-9300-063
- 1.000 I.C. — CTD-9310-094
- 1.312 I.C. — CTD-9320-125

**CHIP CONTROL IS AVAILABLE FOR MOST CUT-OFF INSERTS
PRICED ON REQUEST**

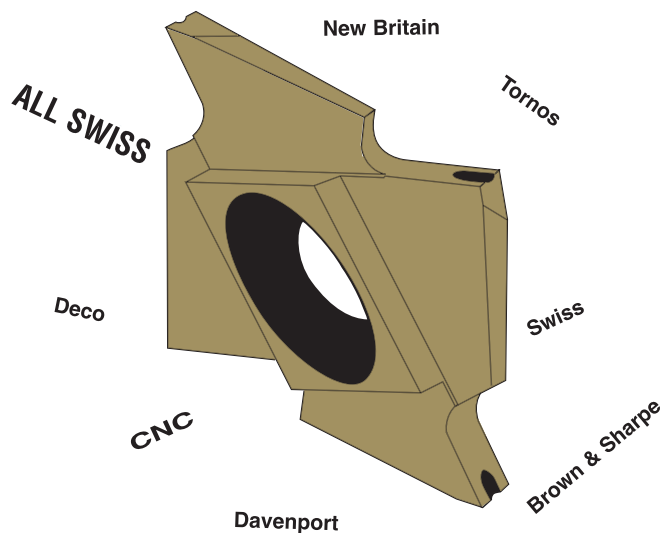
PATENT No. D307859

BENEFITS:

- *CHIP CONTROL
- * GROUND IN CHIP CONTROL FOR SUPERIOR PERFORMANCE
- *LONGER TOOL LIFE
- *MINIMUM DOWN TIME
- *CONSISTENT QUALITY

ORDERING EXAMPLES

- .750 I.C. — SLCBR-630
- 1.000 I.C. — ELCBR-094
- 1.312 I.C. — HLCBL-125



**CHIP CONTROL IS AVAILABLE FOR MOST CUT-OFF INSERTS
PRICED ON REQUEST**