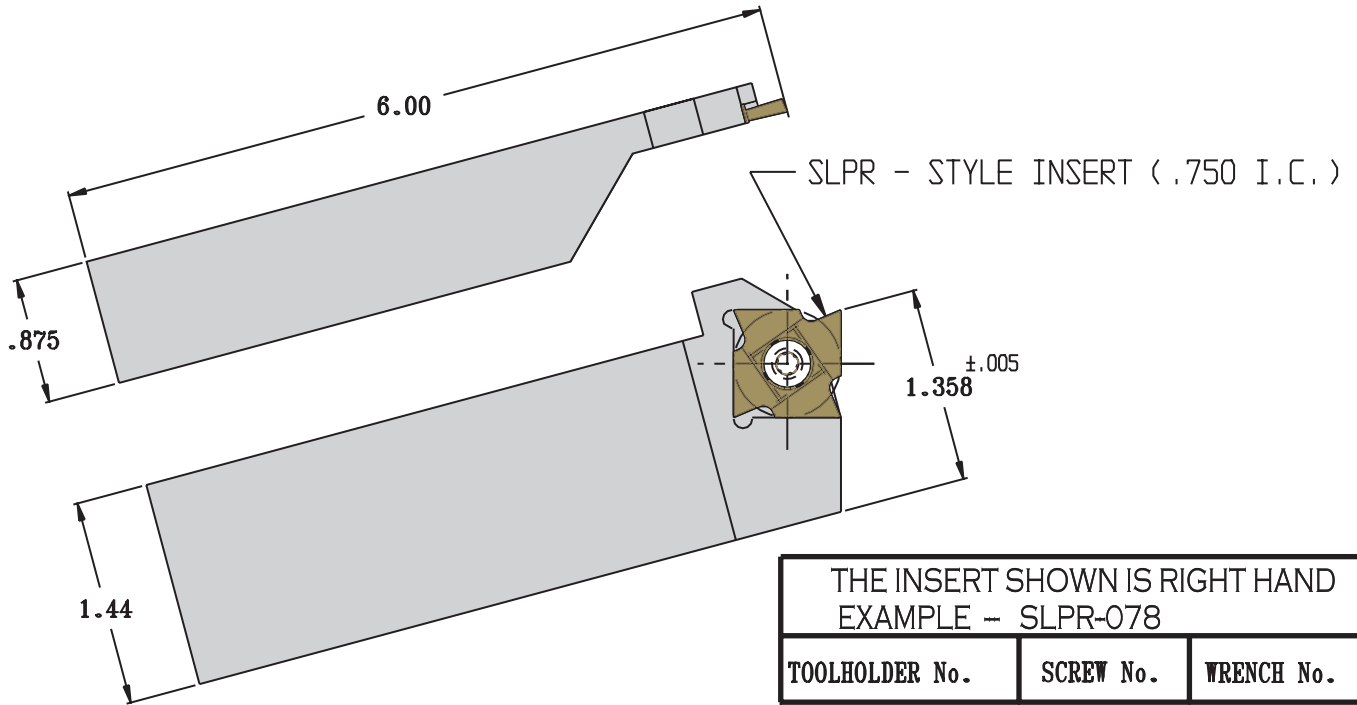




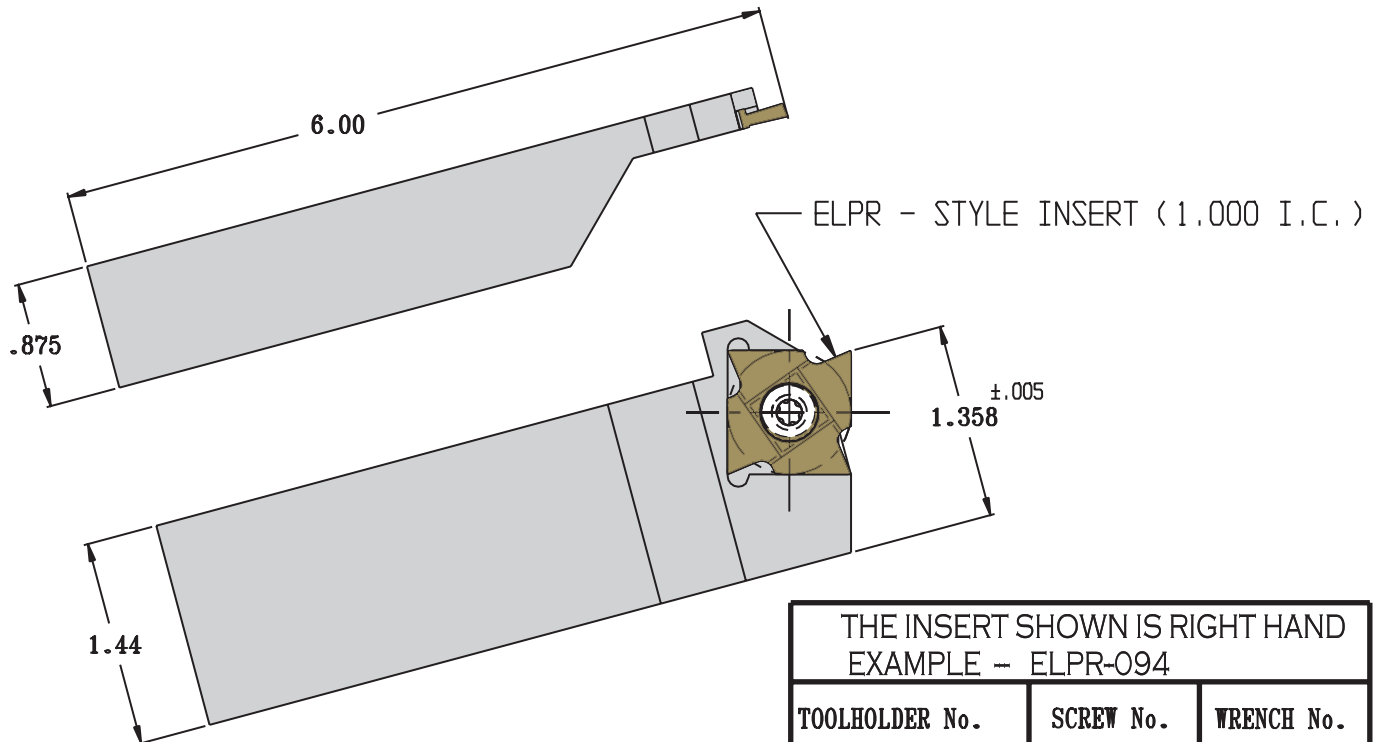
NEW BRITAIN CUT-OFF TOOLHOLDERS

PATENT No. D307859



THE INSERT SHOWN IS RIGHT HAND
EXAMPLE - SLPR-078

TOOLHOLDER No.	SCREW No.	WRENCH No.
NBSR-56	CTD-3341	CTD-3342



THE INSERT SHOWN IS RIGHT HAND
EXAMPLE - ELPR-094

TOOLHOLDER No.	SCREW No.	WRENCH No.
NBSR-80	CTD-4857	CTD-3342