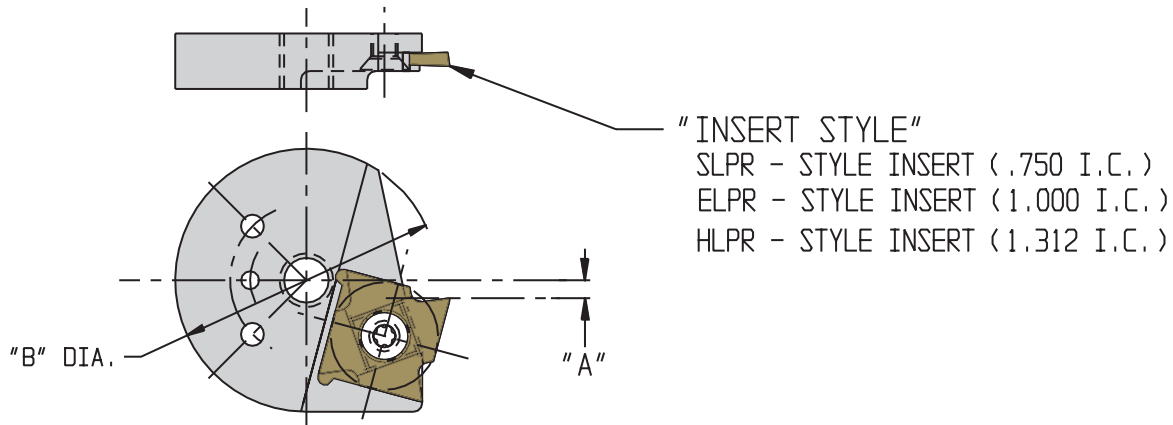




BROWN & SHARPE TOOLHOLDERS

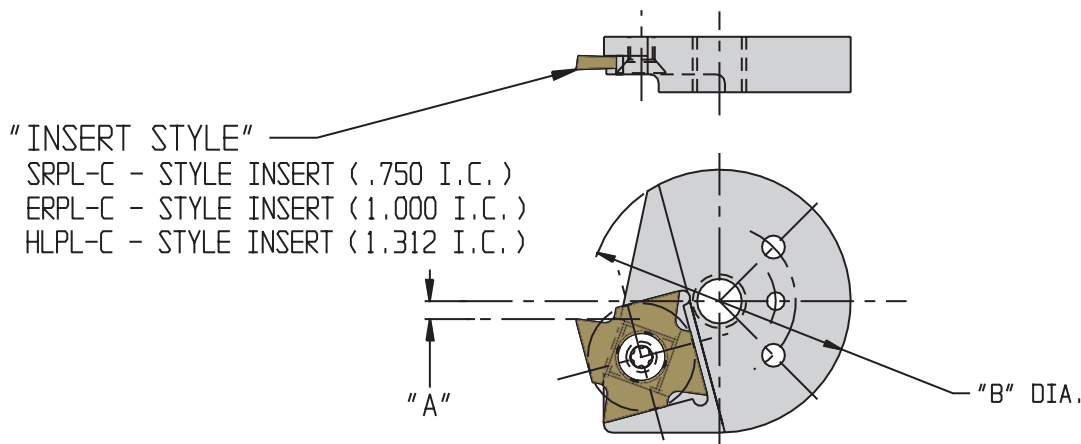
PATENT No. D307859

BROWN & SHARPE RIGHT HAND TOOLHOLDERS



MACHINE	TOOLHOLDER NUMBER	INSERT STYLE	"A"	"B"	SCREW No.	WRENCH No.
#00	00BS-375R-6	SLPR	.125	1.75	CTD-3341	CTD-3342
#0	0BS-375R-6	SLPR	.156	2.25	CTD-3341	CTD-3342
#2	2BS-375R-6	SLPR	.250	3.00	CTD-3341	CTD-3342
#2	2BS-375R-8	ELPR	.250	3.00	CTD-4857	CTD-3342
#2	2BS-375R-21	HLPR	.250	3.00	CTD-4857	CTD-3342

BROWN & SHARPE LEFT HAND TOOLHOLDERS



MACHINE	TOOLHOLDER NUMBER	INSERT STYLE	"A"	"B"	SCREW No.	WRENCH No.
#00	00BS-375L-6	SRPL-C	.125	1.75	CTD-3341	CTD-3342
#0	0BS-375L-6	SRPL-C	.156	2.25	CTD-3341	CTD-3342
#2	2BS-375L-6	SRPL-C	.250	3.00	CTD-3341	CTD-3342
#2	2BS-375L-8	ERPL-C	.250	3.00	CTD-4857	CTD-3342
#2	2BS-375L-21	HRPL-C	.250	3.00	CTD-4857	CTD-3342



BROWN & SHARPE VERTICAL SLIDE HOLDERS

FEATURES

THESE HOLDERS CAN BE USED IN PLACE OF THE REGULAR VERTICAL SLIDE CUT-OFF TOOLHOLDER AND WILL PERMIT THE VERTICAL SLIDE TO BE USED FOR:

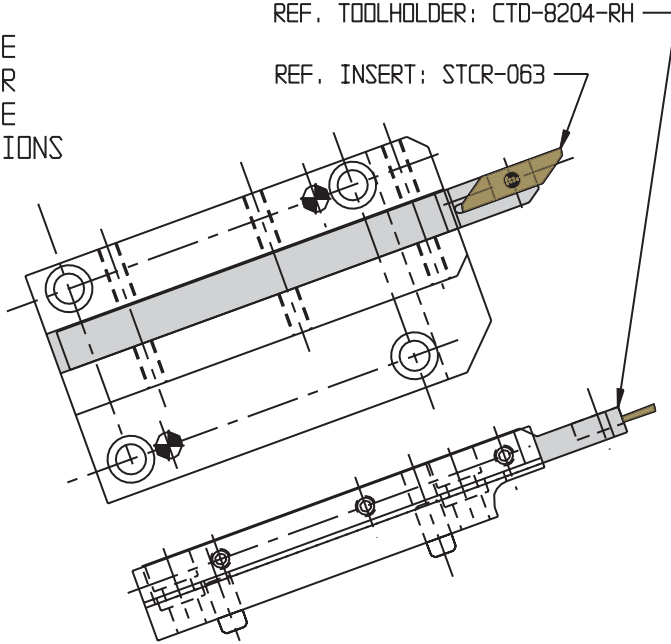
- LIGHT TURNING & FORMING OPERATIONS
- ROLL KNURLING
- ROLL LETTERING

THESE HOLDERS CAN BE USED FOR EITHER RIGHT HAND OR LEFT HAND CUTTING.

A 3/8 SQUARE SHANK TOOLHOLDER IS REQUIRED AS SHOWN.

REF. TOOLHOLDER: CTD-8204-RH

REF. INSERT: STCR-063

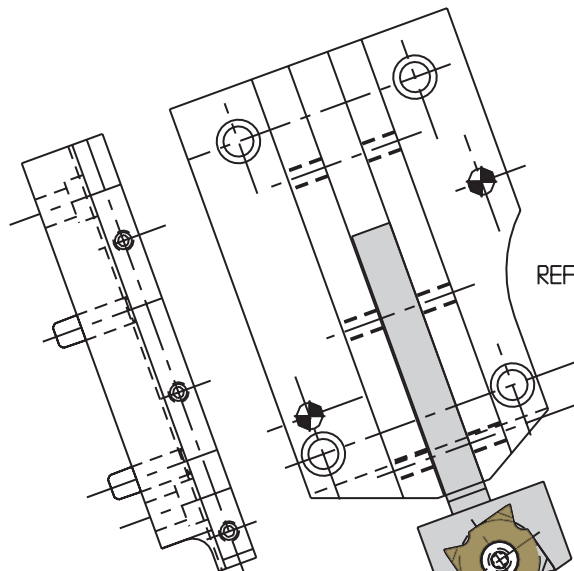


OOG B&S VERTICAL SLIDE TOOLHOLDER
FOR OLD STYLE MACHINES

BSVS-00G

REF. TOOLHOLDER: CTD-2333

REF. INSERT: SLPR-063-0-0
(.750 I.C.)

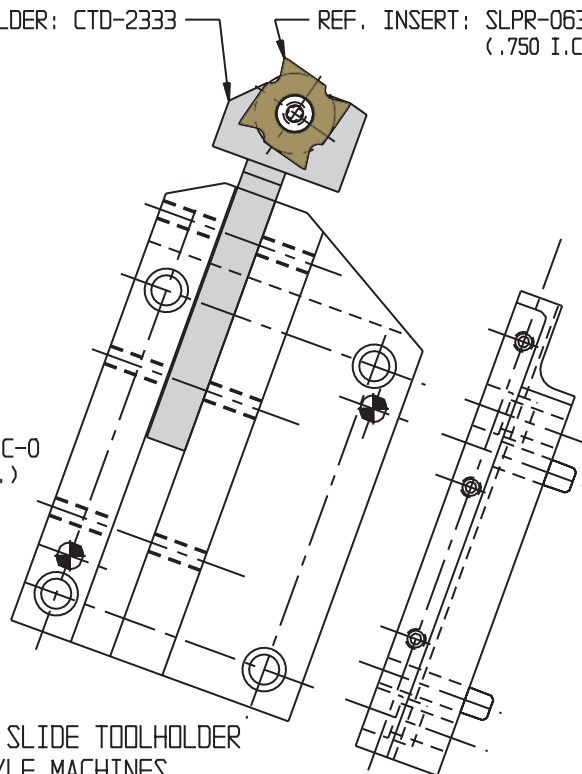


REF. TOOLHOLDER: CTD-8212

REF. INSERT: SLPL-031C-0
(.750 I.C.)

OO B&S VERTICAL SLIDE TOOLHOLDER
FOR SQUARE BASE & ULTRAMATIC MACHINES

BSVS-00SBU



OG B&S VERTICAL SLIDE TOOLHOLDER
FOR OLD STYLE MACHINES

BSVS-0G